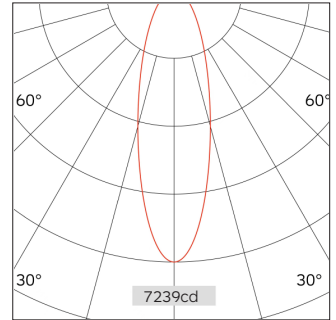
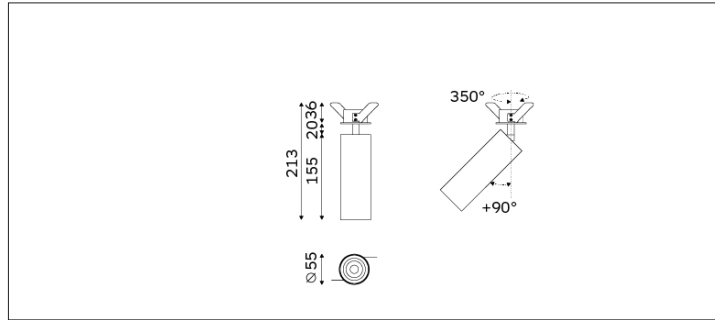


# 56.04512 FOS Recessed Downlight



Light Distribution	FOS Recessed Downlight
Colour Temperature	2700/3000/3500/4000K
Colour Rendition Index	CRI 90
Optics	LENS
Beam Angle	20D/31D/41D/45D
Cut Out	45mm
Connected Load	16W
Luminous Flux Of The Luminaire	1244lm
Luminaire Efficacy	78m/W
Colour Deviation	SDCM <5
Light Source	LED
LED Type	COB
Dimming Method	Triac/1-10V/ Dali
Cover Material	Aluminum
Body Material	Aluminum
IP Rating	IP20
Housing Colour	Sandy White/ Sandy Black
Weight	0.6Kg
Technical Region	220-240V 50/60Hz

Light Beam Talbe		
h(m)	E(lx)	D(m)
		20°
1.0	7239	0.37
2.0	1809	0.73
3.0	804	1.10
4.0	452	1.47
5.0	289	1.83

Application areas: retail, museums, hospitality, residential, offices and lobbies.