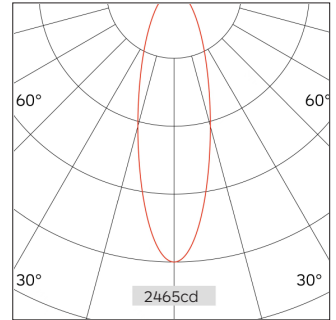
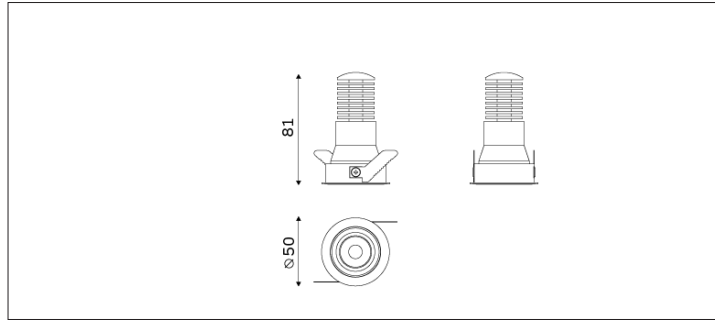


# 52.04512 MINI Recessed Downlight-Adjust



Light Distribution	MINI Recessed Downlight
Colour Temperature	2700/3000/3500/4000K
Colour Rendition Index	CRI 90
Optics	LENS
Beam Angle	20D/25D/38D/54D
Cut Out	45mm
Connected Load	6W
Luminous Flux Of The Luminaire	384lm
Luminaire Efficacy	61lm/W
Colour Deviation	SDCM <5
Light Source	LED
LED Type	COB
Dimming Method	Triac/1-10V/ Dali
Cover Material	Aluminum
Body Material	Aluminum
IP Rating	IP20
Housing Colour	Sandy White/ Sandy Black
Weight	0.2Kg
Technical Region	220-240V 50/60Hz

Light Beam Talbe		
h(m)	E(lx)	D(m)
		20°
1.0	2465	0.36
2.0	616	0.71
3.0	273	1.07
4.0	154	1.43
5.0	98	1.78

Application areas: High end residential and retail projects, hotels, museums and galleries.