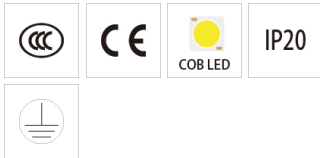
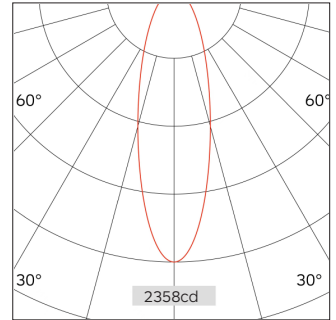
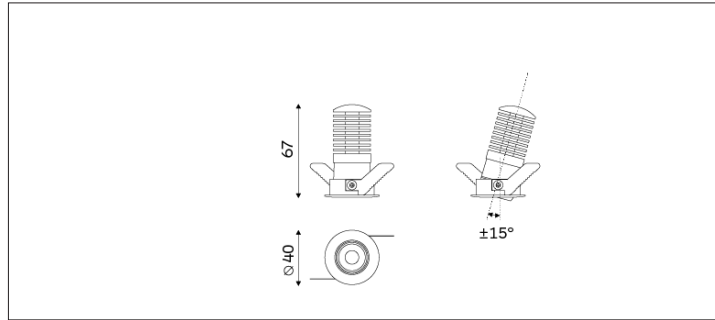


52.03513 MINI Recessed Downlight-Adjust



| | |
|--------------------------------|--------------------------|
| Light Distribution | MINI Recessed Downlight |
| Colour Temperature | 2700/3000/3500/4000K |
| Colour Rendition Index | CRI 90 |
| Optics | LENS |
| Beam Angle | 20D/24D/39D/51D |
| Cut Out | 35mm |
| Connected Load | 6.5W |
| Luminous Flux Of The Luminaire | 432lm |
| Luminaire Efficacy | 67m/W |
| Colour Deviation | SDCM <5 |
| Light Source | LED |
| LED Type | COB |
| Dimming Method | Triac/1-10V/ Dali |
| Cover Material | Aluminum |
| Body Material | Aluminum |
| IP Rating | IP20 |
| Housing Colour | Sandy White/ Sandy Black |
| Weight | 0.2Kg |
| Technical Region | 220-240V 50/60Hz |

| Light Beam Talbe | | |
|------------------|-------|------|
| h(m) | E(lx) | D(m) |
| | | 20° |
| 1.0 | 2358 | 0.35 |
| 2.0 | 589 | 0.71 |
| 3.0 | 262 | 1.06 |
| 4.0 | 147 | 1.41 |
| 5.0 | 94 | 1.76 |

Application areas: High end residential and retail projects, hotels, museums and galleries.