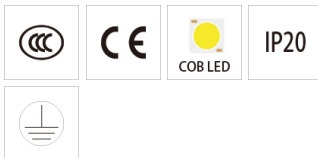
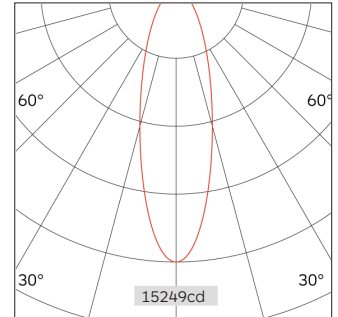
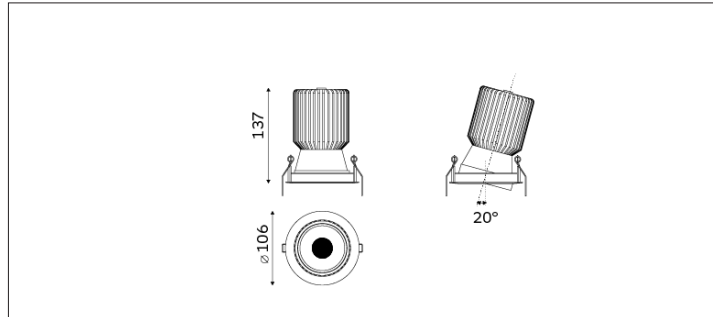


# 52.10019 ECO Recessed Downlight



Light Distribution	ECO Recessed Downlight
Colour Temperature	2700/3000/3500/4000K
Colour Rendition Index	CRI 90
Optics	LENS
Beam Angle	17D/22D/35D/56D
Cut Out	100mm
Connected Load	30W
Luminous Flux Of The Luminaire	2956lm
Luminaire Efficacy	94lm/W
Colour Deviation	SDCM <5
Light Source	LED
LED Type	COB
Dimming Method	Triac/1-10V/ Dali
Cover Material	Aluminum
Body Material	Aluminum
IP Rating	IP20
Housing Colour	Sandy White/ Sandy Black
Weight	0.8Kg
Technical Region	220-240V 50/60Hz

Light Beam Table		
h(m)	E(lx)	D(m)
		22°
1.0	15248	0.39
2.0	3812	0.78
3.0	1694	1.17
4.0	953	1.56
5.0	609	1.94

Application areas: High end residential and retail projects, hotels, museums and galleries.