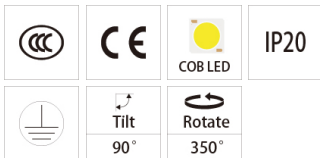
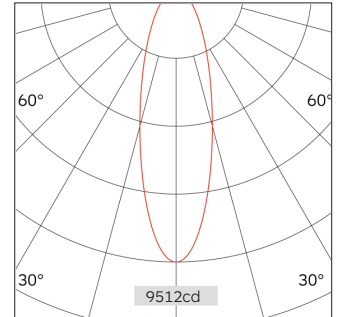
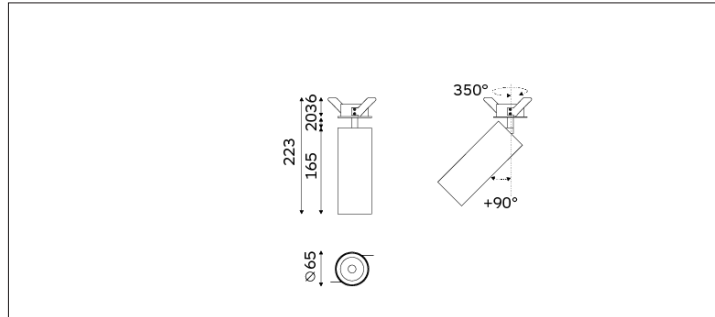


56.05517 FOS Recessed Downlight



Light Distribution	FOS Recessed Downlight
Colour Temperature	2700/3000/3500/4000K
Colour Rendition Index	CRI 90
Optics	LENS
Beam Angle	17D/26D/32D/41D
Cut Out	55mm
Connected Load	25W
Luminous Flux Of The Luminaire	2040lm
Luminaire Efficacy	83m/W
Colour Deviation	SDCM <5
Light Source	LED
LED Type	COB
Dimming Method	Triac/1-10V/ Dali
Cover Material	Aluminum
Body Material	Aluminum
IP Rating	IP20
Housing Colour	Sandy White/ Sandy Black
Weight	0.85Kg
Technical Region	220-240V 50/60Hz

Light Beam Talbe		
h(m)	E(lx)	D(m)
		26°
1.0	9512	0.46
2.0	2378	0.92
3.0	1056	1.38
4.0	595	1.84
5.0	380	2.30

Application areas: retail, museums, hospitality, residential, offices and lobbies.