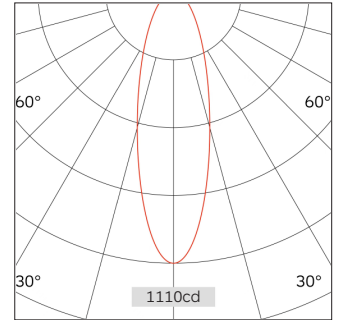
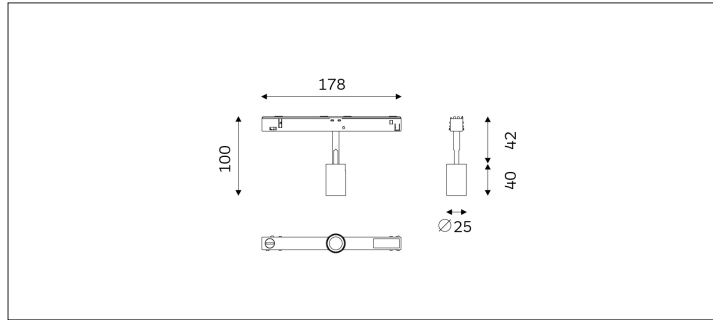
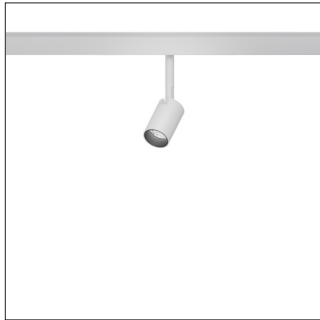


# 61.02511 NEK Track Lighting



Connected Load	3W
Colour Temperature	2700/3000/3500/4000K
Colour Rendition Index	CRI 90
Optics	LENS
Beam Angle	15D/31D
Track	Low Voltage Track
Light Distribution	NEK Track Lighting
Luminous Flux Of The Luminaire	129lm
Luminaire Efficacy	43lm/W
Colour Deviation	SDCM <5
Light Source	LED
LED Type	SMD
Dimming Method	1-10V/ Dali
Cover Material	Aluminum
Body Material	Aluminum
IP Rating	IP20
Housing Colour	Sandy White/ Sandy Black
Weight	0.2Kg
Technical Region	Input 48V

Light Beam Talbe		
h(m)	E(lx)	D(m)
		15°
1.0	1110	0.27
2.0	277	0.53
3.0	123	0.80
4.0	69	1.07
5.0	44	1.33

It is an individual solution with a high degree of flexibility. all inserts are mounted completely without tools and held within the profile by a magnetic force. With just one flick of the wrist, you can adjust the inserts as needed at any time to set the scene for your desired object. Application areas: residential, hotel, restaurants, retail and other high-end places.