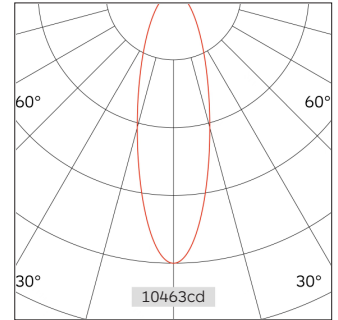
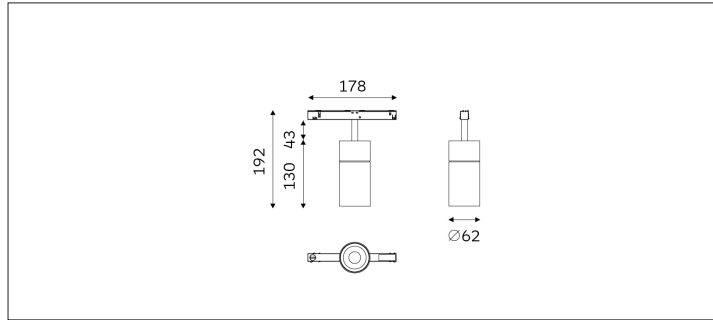
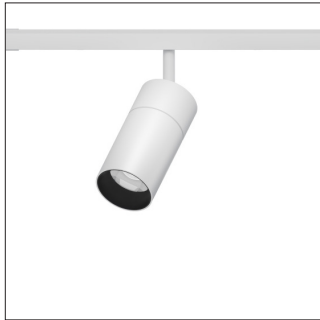


62.06217 EMMA Track Lighting



Connected Load	15W
Colour Temperature	2700/3000/3500/4000K
Colour Rendition Index	CRI 90
Optics	LENS
Beam Angle	16D/25D/35D
Track	Low Voltage Track
Light Distribution	EMMA Track Lighting
Luminous Flux Of The Luminaire	1305lm
Luminaire Efficacy	94lm/W
Colour Deviation	SDCM <5
Light Source	LED
LED Type	COB
Dimming Method	1-10V/ Dali
Cover Material	Aluminum
Body Material	Aluminum
IP Rating	IP20
Housing Colour	Sandy White/ Sandy Black
Weight	0.6Kg
Technical Region	Input 48V

Light Beam Talbe		
h(m)	E(lx)	D(m)
		25°
1.0	6266	0.45
2.0	1566	0.90
3.0	696	1.35
4.0	391	1.80
5.0	250	2.24

A modern design consisting for the purpose to meet the highest requirements of the latest advanced lighting technology.