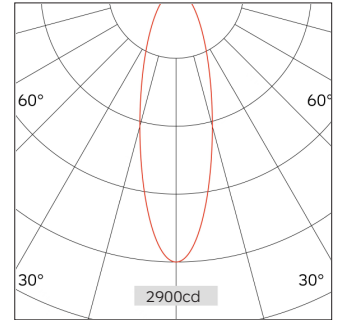
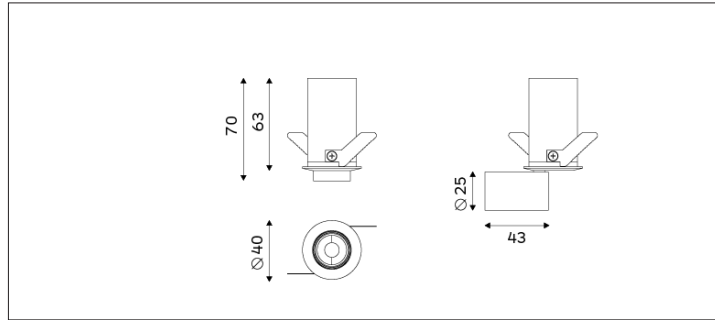


56.05511 MINI Recessed Downlight-Adjust



Light Distribution	MINI Recessed Downlight
Colour Temperature	2700/3000/3500/4000K
Colour Rendition Index	CRI 90
Optics	LENS
Beam Angle	20D/26D/38D/56D
Cut Out	55mm
Connected Load	8W
Luminous Flux Of The Luminaire	563lm
Luminaire Efficacy	87lm/W
Colour Deviation	SDCM <5
Light Source	LED
LED Type	COB
Dimming Method	Triac/1-10V/ Dali
Cover Material	Aluminum
Body Material	Aluminum
IP Rating	IP20
Housing Colour	Sandy White/ Sandy Black
Weight	0.4Kg
Technical Region	220-240V 50/60Hz

Light Beam Table		
h(m)	E(lx)	D(m)
		26°
1.0	2900	0.45
2.0	725	0.90
3.0	322	1.35
4.0	181	1.81
5.0	116	2.26

Application areas: High end residential and retail projects, hotels, museums and galleries.