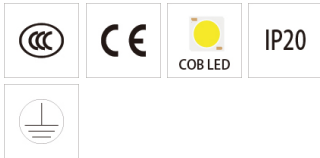
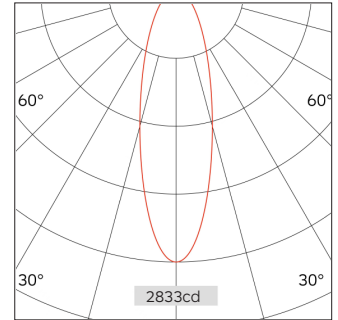
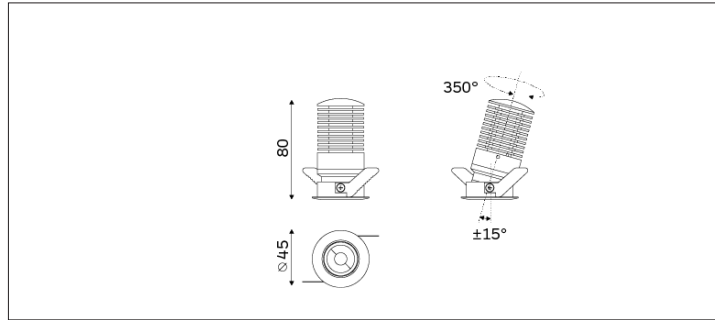


52.04013 MINI Recessed Downlight-Adjust



Light Distribution	MINI Recessed Downlight
Colour Temperature	2700/3000/3500/4000K
Colour Rendition Index	CRI 90
Optics	LENS
Beam Angle	18D/22D/34D/49D
Cut Out	40mm
Connected Load	8W
Luminous Flux Of The Luminaire	518lm
Luminaire Efficacy	65lm/W
Colour Deviation	SDCM <5
Light Source	LED
LED Type	COB
Dimming Method	Triac/1-10V/ Dali
Cover Material	Aluminum
Body Material	Aluminum
IP Rating	IP20
Housing Colour	Sandy White/ Sandy Black
Weight	0.2Kg
Technical Region	220-240V 50/60Hz

Light Beam Talbe		
h(m)	E(lx)	D(m)
		22°
1.0	2833	0.39
2.0	708	0.77
3.0	453	1.16
4.0	314	1.55
5.0	113	1.94

Application areas: High end residential and retail projects, hotels, museums and galleries.