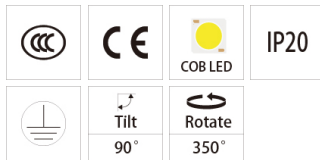
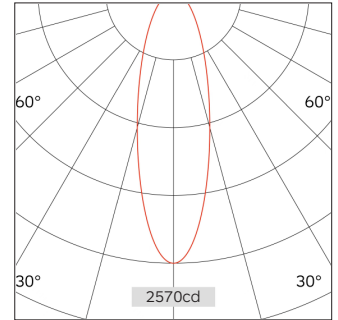
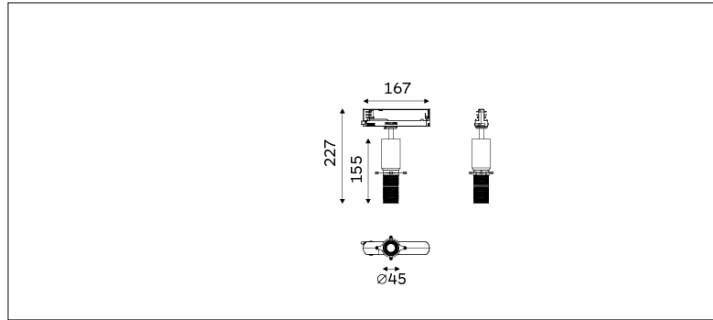


32.04520 Contour Track Lighting



Light Distribution	Contour Track Lighting
Colour Temperature	2700/3000/3500/4000K
Colour Rendition Index	CRI 90
Optics	LENS
Beam Angle	19D-33D
Track Phases	1 Circuit/ 3 Circuit
Connected Load	9W
Luminous Flux Of The Luminaire	263lm
Luminaire Efficacy	29lm/W
Colour Deviation	SDCM <5
Light Source	LED
LED Type	COB
Dimming Method	Triac/1-10V/ Dali
Cover Material	Aluminum
Body Material	Aluminum
IP Rating	IP20
Housing Colour	Matt White/ Matt Black
Weight	0.6Kg
Technical Region	220-240V 50/60Hz

Light Beam Table

h(m)	E(lx)	D(m)
		19°
1.0	2506	0.34
2.0	627	0.69
3.0	278	1.03
4.0	157	1.38
5.0	100	1.72

Mainly for users who require high quality lighting, such as museums, art galleries, galleries, fashion, office spaces, hotels and clubs, car showrooms, etc.