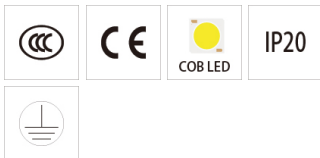
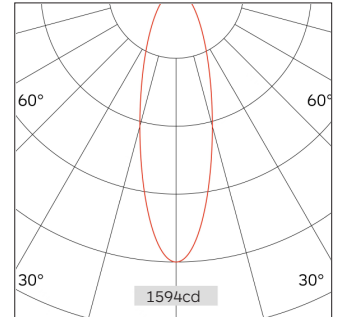
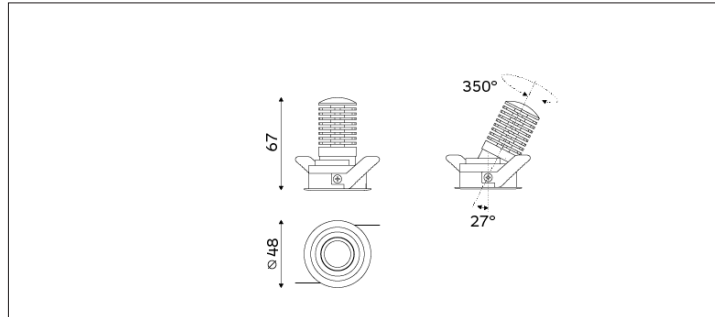


52.04511 MINI Recessed Downlight-Adjust



Light Distribution	MINI Recessed Downlight
Colour Temperature	2700/3000/3500/4000K
Colour Rendition Index	CRI 90
Optics	LENS
Beam Angle	19D/22D/36D/50D
Cut Out	45mm
Connected Load	6.5W
Luminous Flux Of The Luminaire	335lm
Luminaire Efficacy	52lm/W
Colour Deviation	SDCM <5
Light Source	LED
LED Type	COB
Dimming Method	Triac/1-10V/ Dali
Cover Material	Aluminum
Body Material	Aluminum
IP Rating	IP20
Housing Colour	Sandy White/ Sandy Black
Weight	0.2Kg
Technical Region	220-240V 50/60Hz

Light Beam Talbe		
h(m)	E(lx)	D(m)
		19°
1.0	1594	0.34
2.0	398	0.67
3.0	177	1.01
4.0	99	1.34
5.0	64	1.68

Application areas: High end residential and retail projects, hotels, museums and galleries.