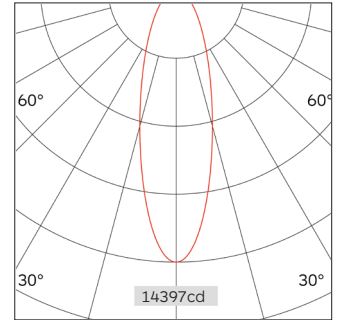
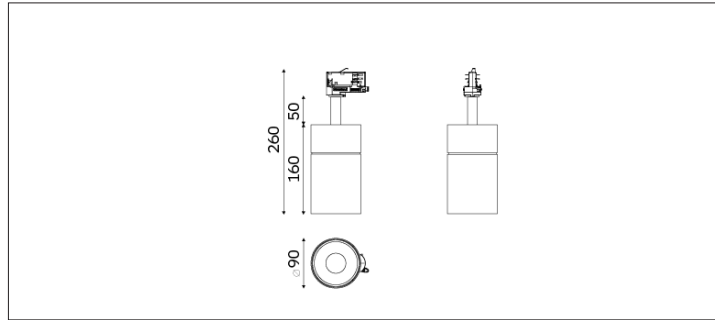


32.09013 EMMA Track Lighting



Light Distribution	EMMA TRACK LIGHT
Colour Temperature	2700/3000/3500/4000K
Colour Rendition Index	CRI 90
Optics	LENS
Beam Angle	15D/20D/28D/39D
Track Phases	1 Circuit/ 3 Circuit
Connected Load	35W
Luminous Flux Of The Luminaire	3590lm
Luminaire Efficacy	100m/W
Colour Deviation	SDCM <5
Light Source	LED
LED Type	COB
Dimming Method	Triac/1-10V/ Dali
Cover Material	Aluminum
Body Material	Aluminum
IP Rating	IP20
Housing Colour	Sandy White/ Sandy Black
Weight	1Kg
Technical Region	220-240V 50/60Hz

Light Beam Talbe		
h(m)	E(lx)	D(m)
		28°
1.0	14397	0.50
2.0	3599	1.00
3.0	1600	1.40
4.0	900	1.99
5.0	576	2.49

Application areas: retail, museums, hospitality, residential, offices and lobbies.