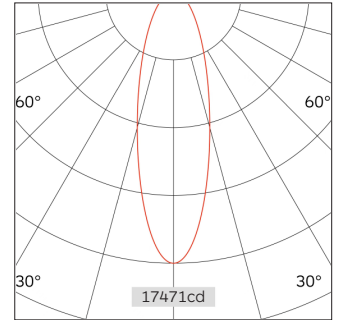
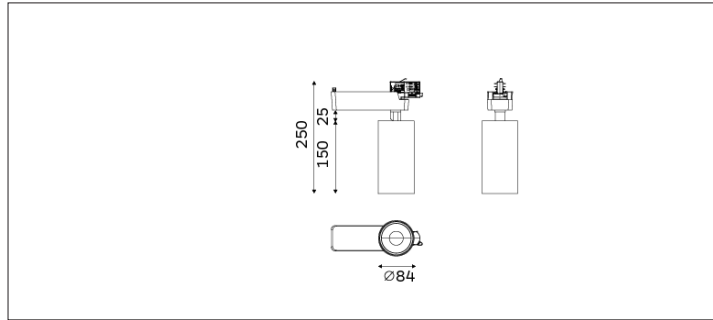


# 31.08411 ACTION Track Lighting With Driver Box



Light Distribution	Track Lighting
Colour Temperature	2700/3000/3500/4000K
Colour Rendition Index	CRI 90
Optics	LENS
Beam Angle	17D/24D/36D
Track Phases	1 Circuit/ 3 Circuit
Connected Load	31W
Luminous Flux Of The Luminaire	3057lm
Luminaire Efficacy	98lm/W
Colour Deviation	SDCM <5
Light Source	LED
LED Type	COB
Dimming Method	Triac/1-10V/ Dali
Cover Material	Aluminum
Body Material	Aluminum
IP Rating	IP20
Housing Colour	Sandy White/ Sandy Black
Weight	1.3Kg
Technical Region	220-240V 50/60Hz

Light Beam Talbe		
h(m)	E(lx)	D(m)
		24°
1.0	17412	0.42
2.0	4353	0.85
3.0	1934	1.27
4.0	1088	1.70
5.0	696.5	2.12

A modern design consisting for the purpose to meet the highest requirements of the latest advanced lighting technology.