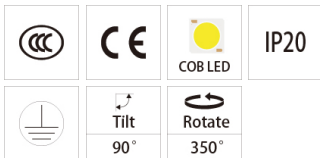
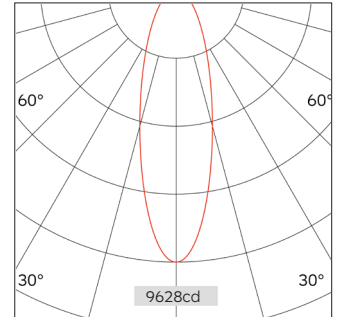
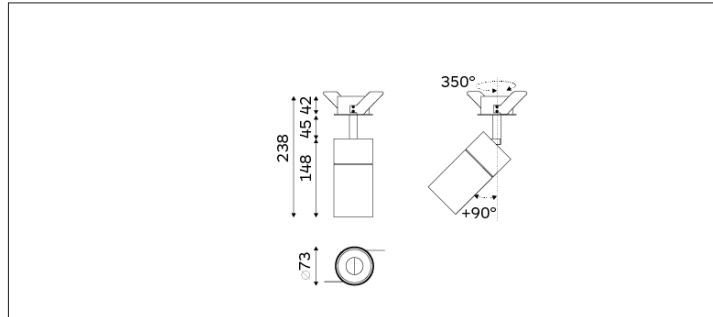


56.06511 EMMA Recessed Downlight



Light Distribution	Recessed Downlight
Colour Temperature	2700/3000/3500/4000K
Colour Rendition Index	CRI 90
Optics	LENS
Beam Angle	18D/26D/39D
Cut Out	65mm
Connected Load	24W
Luminous Flux Of The Luminaire	2188lm
Luminaire Efficacy	91m/W
Colour Deviation	SDCM <5
Light Source	LED
LED Type	COB
Dimming Method	Triac/1-10V/ Dali
Cover Material	Aluminum
Body Material	Aluminum
IP Rating	IP20
Housing Colour	Sandy White/ Sandy Black
Weight	0.7Kg
Technical Region	220-240V 50/60Hz

Light Beam Talbe		
h(m)	E(lx)	D(m)
		26°
1.0	9614	0.47
2.0	2404	0.94
3.0	1068	1.40
4.0	600	1.87
5.0	385	2.34

Application areas: retail, museums, hospitality, residential, offices and lobbies.