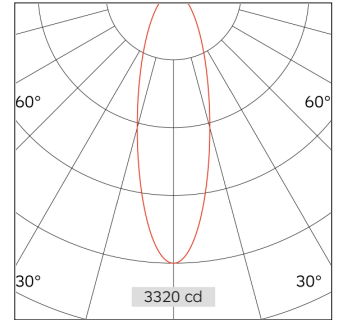
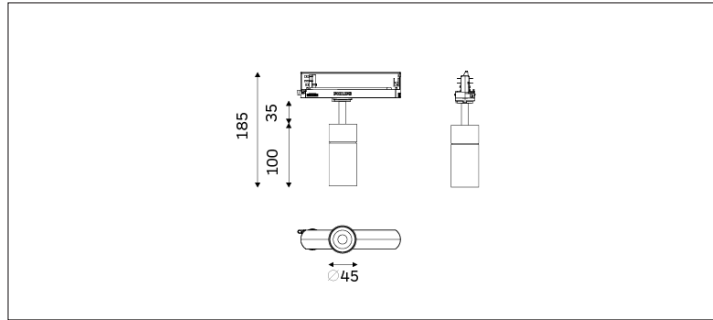


32.04516 EMMA Track Lighting-Intrack



Light Distribution	In- track Track Lighting
Colour Temperature	2700/3000/3500/4000K
Colour Rendition Index	CRI 90
Optics	LENS 16D/24D/36D
Track Phases	1 Circuit/ 3 Circuit
Connected Load	9W
Luminous Flux Of The Luminaire	708lm
Luminaire Efficacy	80lm/W
Colour Deviation	SDCM<5
Light Source	LED
Lumen Maintenance (LED)	L90/B10
Manufacturer Specifications)	L90<1000h
LED Type	COB
Dimming Method	Triac/1-10V/ Dali
Cover Material	Aluminum
Body Material	Aluminum
IP Rating	IP20
Housing Colour	Sandy White/ Sandy Black
Weight	0.35Kg
Technical Region	220-240V 50/60Hz

Light Beam Talbe		
h(m)	E(lx)	D(m)
		24°
1.0	3217	0.43
2.0	804	0.86
3.0	357	1.29
4.0	201	1.72
5.0	128	2.15

Application areas: retail, museums, hospitality, residential, offices and lobbies.