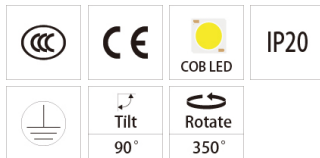
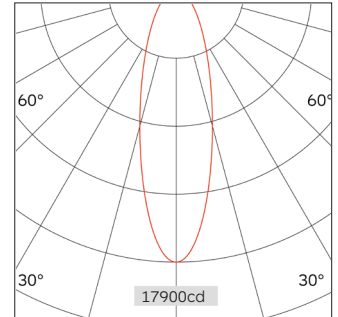
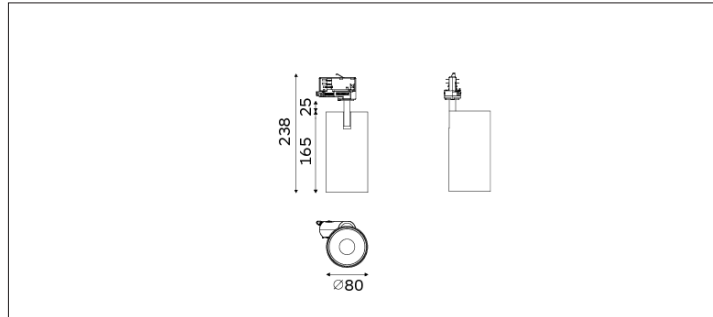


32.08011 ECO Track Lighting



Light Distribution	ECO Track Lighting
Colour Temperature	2700/3000/3500/4000K
Colour Rendition Index	CRI 90
Optics	LENS
Beam Angle	16D/22D/33D
Track Phases	1 Circuit/ 3 Circuit
Connected Load	35W
Luminous Flux Of The Luminaire	3134lm
Luminaire Efficacy	87m/W
Colour Deviation	SDCM <5
Light Source	LED
LED Type	COB
Dimming Method	Triac/1-10V/ Dali
Cover Material	Aluminum
Body Material	Aluminum
IP Rating	IP20
Housing Colour	Sandy White/ Sandy Black
Weight	0.8Kg
Technical Region	220-240V 50/60Hz

Light Beam Talbe		
h(m)	E(lx)	D(m)
		22°
1.0	17885	0.39
2.0	4471	0.78
3.0	1987	1.16
4.0	1118	1.55
5.0	715	1.94

Application areas: retail, museums, hospitality, residential, offices and lobbies.