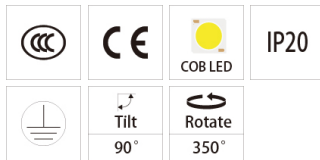
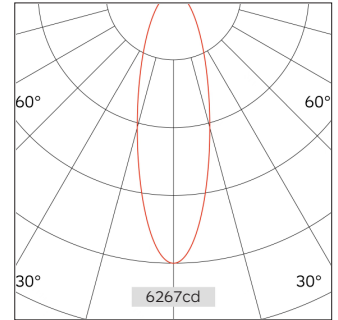
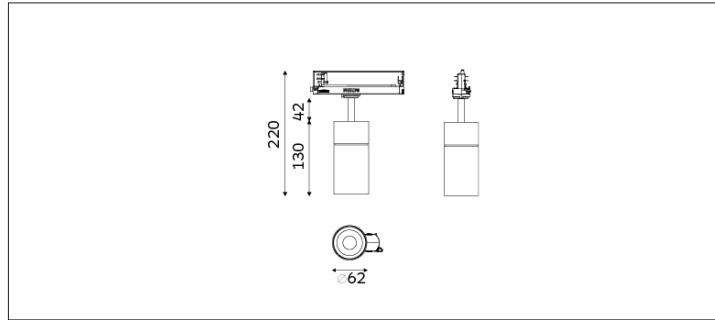


32.06220 EMMA Track Lighting-Intrack



Light Distribution	EMMA Track Lighting-Intrack
Colour Temperature	2700/3000/3500/4000K
Colour Rendition Index	CRI 90
Optics	LENS
Beam Angle	16D/25D/35D
Track Phases	1 Circuit/ 3 Circuit
Connected Load	14W
Luminous Flux Of The Luminaire	1305lm
Luminaire Efficacy	94lm/W
Colour Deviation	SDCM <5
Light Source	LED
LED Type	COB
Dimming Method	Triac/1-10V/ Dali
Cover Material	Aluminum
Body Material	Aluminum
IP Rating	IP20
Housing Colour	Sandy White/ Sandy Black
Weight	0.5Kg
Technical Region	220-240V 50/60Hz

Light Beam Table

h(m)	E(lx)	D(m)
		25°
1.0	6267	0.45
2.0	1567	0.90
3.0	696	1.35
4.0	392	1.80
5.0	251	2.20

Application areas: retail, museums, hospitality, residential, offices and lobbies.